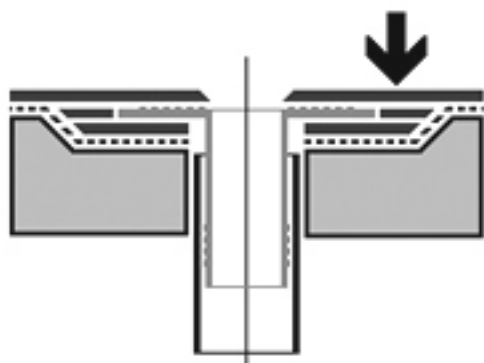
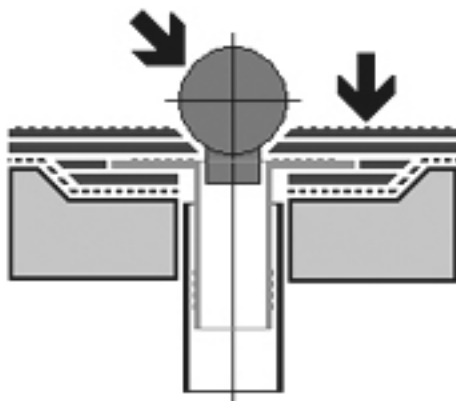


DESIGN FOR PIPE UNIONS FOR BITUMEN-POLYMER MEMBRANES (PART 3)



Application by flame in total adherence of the flange of the pipe and the part over the edge of the lower flange, of the first stratum of adherence in polymer bitumen membrane.

Opening of the membrane and its finishing's in correspondence of the opening of the pipe.



Application, with flame, in total adherence to the membrane below and staggered liner in respect to the latter of the sealing stratum finishing in polymer bitumen membrane.

Cut of the membrane and its finishing in correspondence of the opening of the pipe. Insertion into the opening of the pipe of a suitable device to block leaves.

diameter	surface covered
80	50
100	79
120	113
140	154
160	201
180	254
200	314

LEGEND

diameter: useful diameter of the pipe in mm

surface covered: flat service, in m², equipped with a point of disposal

max pluviometrical regime: 3 litres a minute

max distance that can be travelled by rain waters to arrive at the point of disposal: 30m